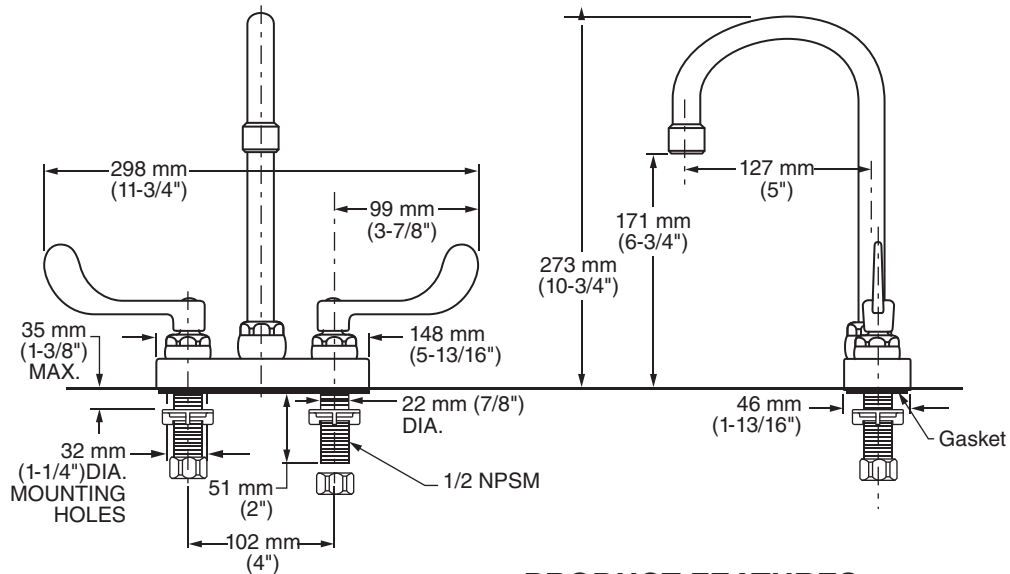


MODEL NUMBER:*

- 7500.174 Centerset Lavatory**
 0.35 gpm Pressure Compensating, Vandal-Resistant Multi-Laminar Spray. Rigid/swivel gooseneck spout. Vandal-Resistant Wrist Blade handles. Less drain and pop-up hole.



GENERAL DESCRIPTION:

Durable cast brass construction. 1/2" male threaded inlet shanks with shank nuts and brass coupling nuts. 1/4 turn ceramic disc valve cartridges. Field-convertible rigid/swivel gooseneck spout. Vandal-Resistant Wrist Blade handles with blue & red color indexes. 0.35 gpm/1.3L/min. maximum flow rate.

PRODUCT FEATURES:

- Meets CALGreen:** 0.35 gpm/1.3 L/min. flow rate
- Pressure Compensating Multi-Laminar Spray:** Provides a constant water flow of 0.35 gpm throughout the pressure range. No mix of air and water.
- Solid Brass Construction:** Durable - Excellent in high use applications. Ideal for prolonged contact with water.
- Ceramic Disc Valve Cartridge:** Assures a lifetime of drip-free performance.
- Field-Convertible Rigid/Swivel Spout:** Easily adjusted in the field.
- Lead-Free:** Faucet contains $\leq 0.25\%$ total lead content by weighted average.

SUGGESTED SPECIFICATION:

4" centerset lavatory faucet shall be cast brass construction with shank nuts and brass coupling nuts. Shall feature water-conserving, pressure compensating vandal-resistant 0.35 gpm/1.3L/min. multi-laminar spray. Vandal-Resistant Wrist Blade handles. Shall also feature 1/4 turn washerless ceramic disc valve cartridges. Shall also feature field-convertible gooseneck spout. Fitting shall be American Standard Model # 7500.174.002.

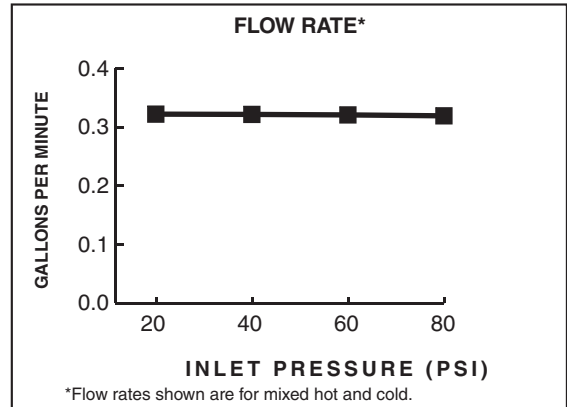


MONTERREY® 0.35 GPM
TWO-HANDLE CENTERSET LAVATORY FAUCET
RIGID/SWIVEL GOOSENECK SPOUT WITH 5" REACH

CODES AND STANDARDS

These products meet or exceed the following codes and standards:

- ANSI A117.1
- ASME A112.18.1
- CSA B 125
- NSF 372
- CALGreen



Product Number	Description	Finish
		Polished Chrome
7500.174	Centerset Lavatory with rigid/swivel gooseneck spout. 0.35 gpm/1.3L/min pressure compensating, vandal-resistant multi-laminar spray. Vandal-Resistant Wrist Blade Handles. Less drain and pop-up hole.	002

 MEETS THE AMERICANS WITH DISABILITIES ACT GUIDELINES AND ANSI A117.1 REQUIREMENTS FOR ACCESSIBLE AND USABLE BUILDING FACILITIES-CHECK LOCAL CODES